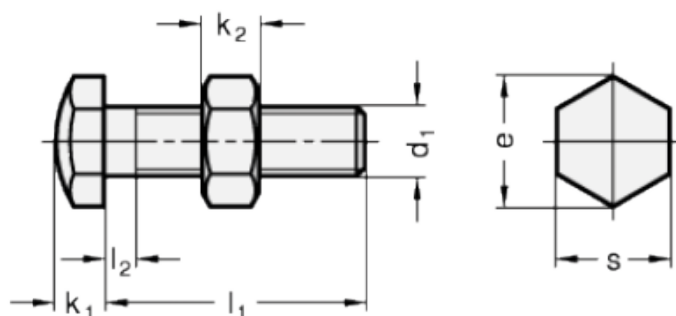


Article number: 20251M1240AK

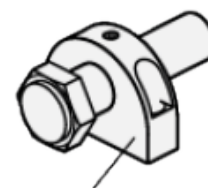
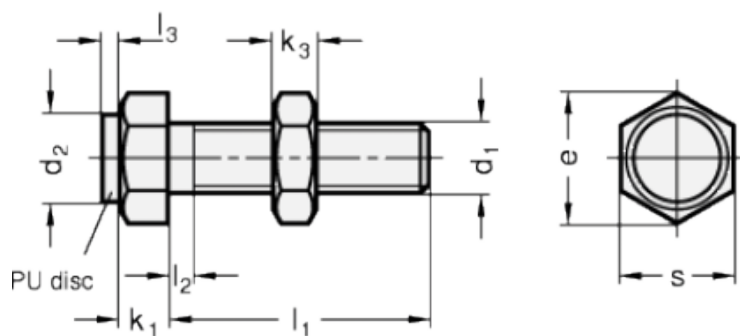
Description: E+G Setting bolt GN 251-M12-40-AK
with nut

Measures

Type AK



Type BK



Mounting block GN 412.1

d	= M12	s = 19
e	= 21.9	
K	= -	
k1	= 8	
k2	= 10	
l1	= 40	
l2 max.	= 5.2	
l3	= -	